

2" 7600 LIQUID RELIEF VALVE

High Pressure • Pressure Control • High Volume
To 8,000 PSI To 650 GPM

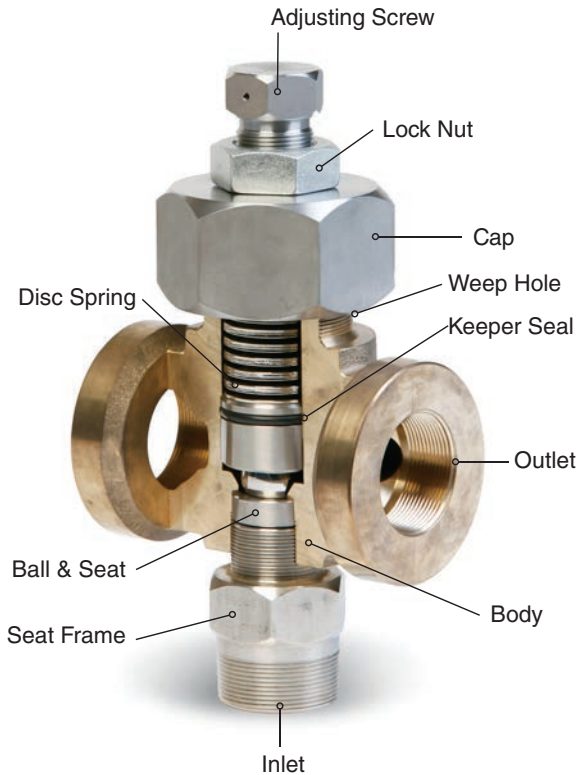


Designed for protection against over-pressure for vessels, pumps, flow lines and other applications. It is a rugged and versatile valve capable of handling a wide range of pressures.

Material Specifications

- Body:** 2" Aluminum-Bronze or 316SS
- Ball & Seat:** Sure Seal 316SS Double Sided Seat
- Seat Frame:** 316SS
- Spring:** Disc Spring
- Inlet:** 2" male NPT, Integral 2" 602, 1502
- Outlet:** Dual - 2" Female
- Design:** CRN (0C12907.2) to ASME B31.3

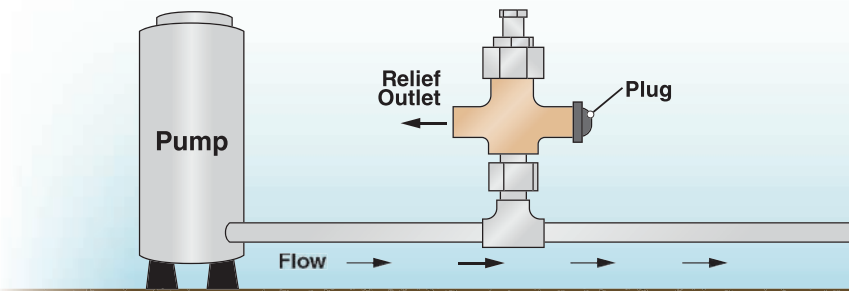
- Standard Valve is Aluminum-Bronze Valve
- For 316SS Valve Replace "AB" With "316" In Part Number
- Any flow from weep hole indicates keeper seal is worn and should be replaced.



Aluminum-Bronze Part Number	Working Pressure Range	Volume (GPM) At 25% Over Set Pressure	Spring Arrangement & Quantity	Seat Orifice Diameter	Cap Color Code
X-7601-2-AB-LLP	100-600 lbs.	15-425	Thin 1x1 (19)	1 1/8"	White
X-7601-2-AB-LP	400-1500 lbs.	30-650	Med 1x1 (16)	1 1/8"	Yellow
X-7601-2-AB-MP	1000-4000 lbs.	20-625	Thick 2x2 (18)	1 1/8"	Green
X-7601-2-AB-HP	3000-8000 lbs.	40-625	Thick 3x3 (18)	1 1/8"	Red

USE ONLY AS DIRECTED

Do not deviate from the Manufacturer's recommended pressure range and mode of installation.



RED DEER HEAD OFFICE
277, Burnt Park Drive
Red Deer County, AB T4S 0K7
Phone: 403-343-2822
Fax: 403-347-1470

1-866-660-KING
CALGARY: 403-350-0356
GRANDE PRAIRIE: . . 780-538-2626
DRAYTON VALLEY: . . .780-515-9100

www.kingsenergy.com
ROCKY MTN HOUSE: .403-847-1000
BROOKS: 403-362-4444
PROVOST: 780-753-2136